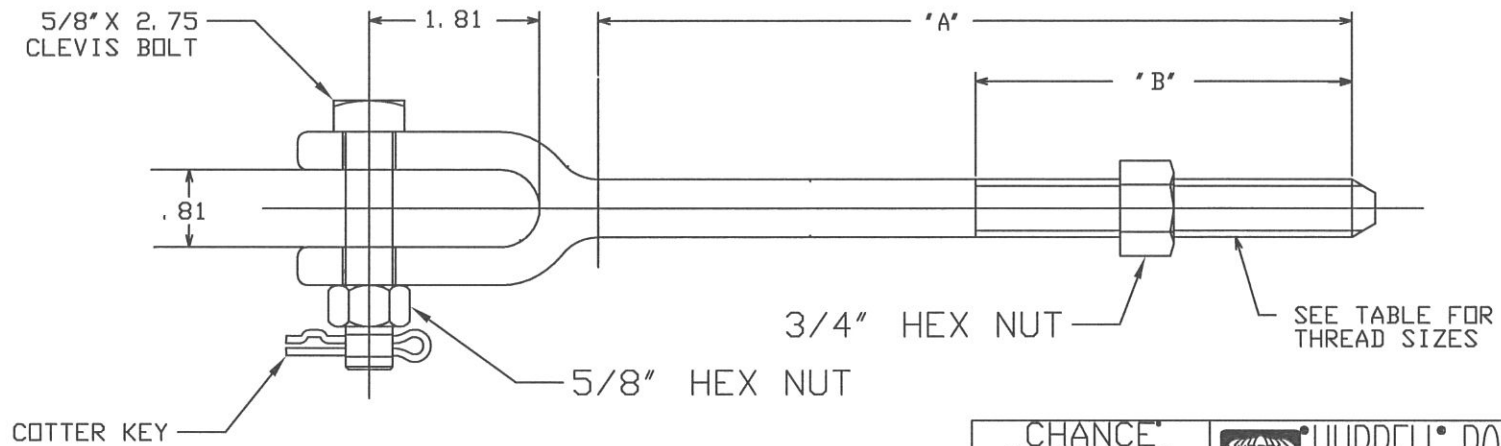
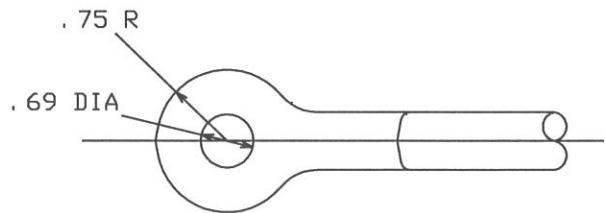



CATALOG NO.	DESCRIPTION	THREAD	"A"	"B"
15825	CLEVIS BOLT 3/4	3/4-10UNC-2A	5	4.5
15828	CLEVIS BOLT 3/4	3/4-10UNC-2A	8	4
15829	CLEVIS BOLT 3/4	3/4-10UNC-2A	9	6
15830	CLEVIS BOLT 3/4	3/4-10UNC-2A	10	6
15832	CLEVIS BOLT 3/4	3/4-10UNC-2A	12	6
15834	CLEVIS BOLT 3/4	3/4-10UNC-2A	14	6

-NOTES-

- MAT'L: H. R. STEEL.
- FINISH: HOT DIP GALVANIZE PER ASTM A153 (LATEST REVISION).



CHANCE TOLERANCE CHART		 HUBBELL POWER SYSTEMS POWER SYSTEMS, INC.		
CONFIDENTIAL: THIS DRAWING AND ITS CONTENTS ARE CONFIDENTIAL AND THE EXCLUSIVE PROPERTY OF HUBBELL POWER SYSTEMS. NO PUBLICATION, DISTRIBUTION OR COPIES MAY BE MADE WITHOUT THE WRITTEN CONSENT OF HUBBELL POWER SYSTEMS. HUBBELL POWER SYSTEMS UNPUBLISHED ALL RIGHTS RESERVED UNDER THE COPYRIGHT LAWS.				
TITLE		CLEVIS BOLT 3/4		
SIZE	DWG NO.	CAT / PART / ASSY NO.		REV
SB	SA450481	SEE CHART		---
DO NOT SCALE THIS DRAWING	DRN BY BERGER	DATE 08/20/12	SHEET 1 OF 1	